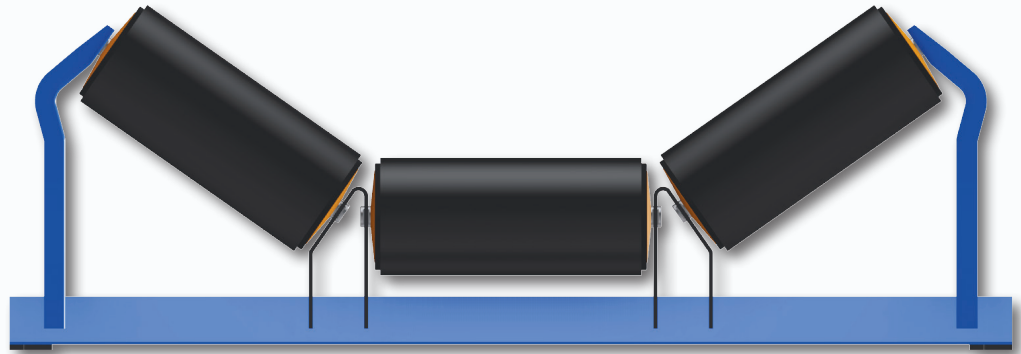


COMPOSITE IDLERS

Retrofit to your Existing Frames

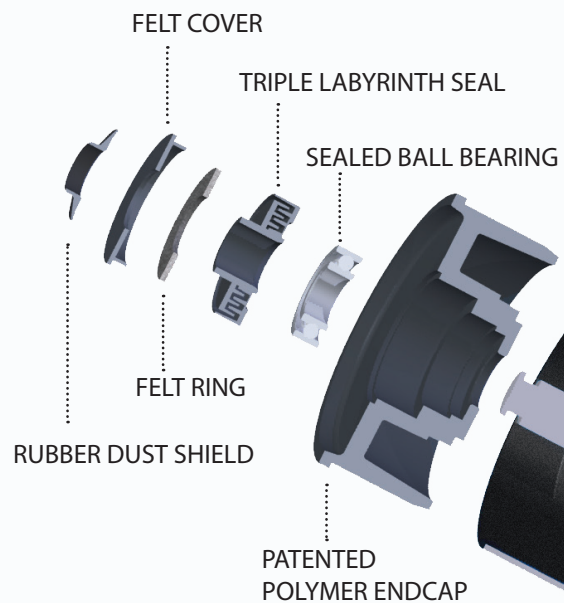
**Full 2 Year
Warranty**



- Decrease weight of rollers; up to 50% without losing load carrying capacity
- Quiet operation. Achieve 12-15 dB sound emission reduction over steel rollers
- Abrasion resistance provided by high-strength E-glass reinforcements and ultra tough epoxy resin formula
- Scale quality tubing delivers less than 0.015" TIR
- Corrosion resistant construction
- Available in 5" and 6" diameter, CEMA D & CEMA E, up to 72" belt
- Polymer bearing housing
- Mild steel shaft (stainless steel available)



**Anti-lock Shield & High Moisture
Seal Available**



Luff Industries Ltd.
235010 Wrangler Road
Rocky View, (Calgary) Alberta, T1X 0K3

TF: 1.888.349.LUFF (5833)

P: 403.279.3555

F: 403.279.5709

Conveying Performance

info@luffindustries.com
www.luffindustries.com