

COMPANY:

CONTACT:

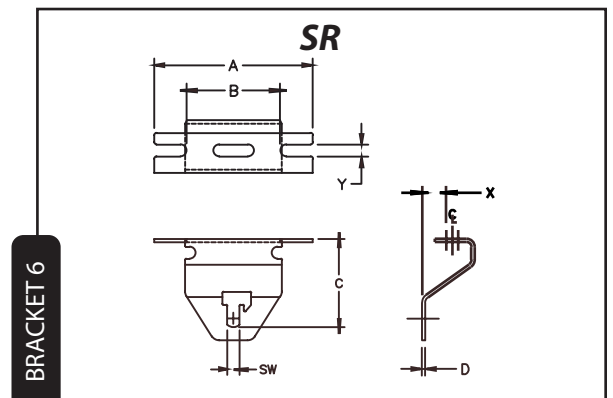
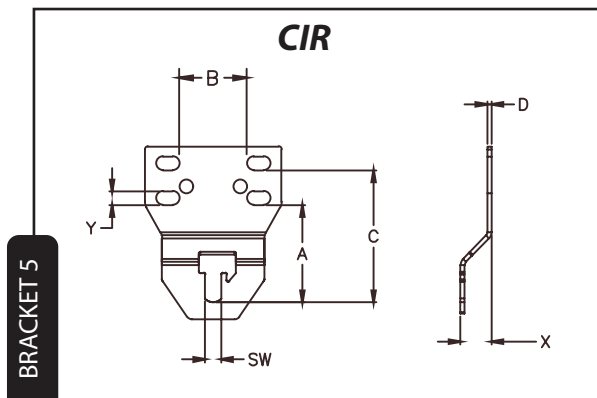
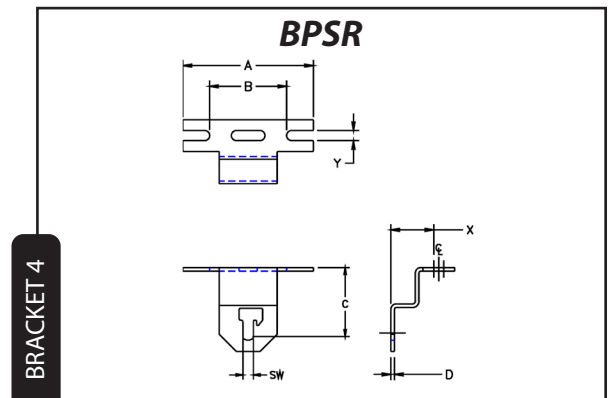
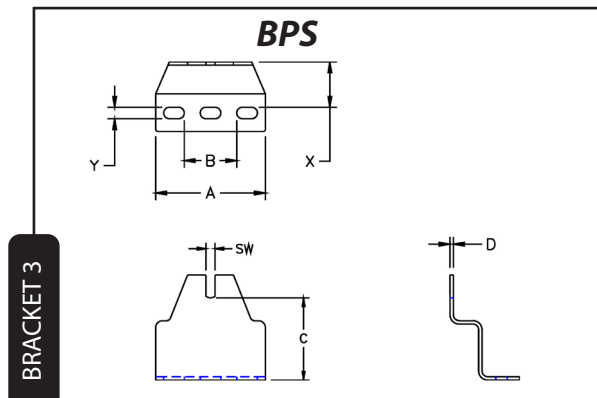
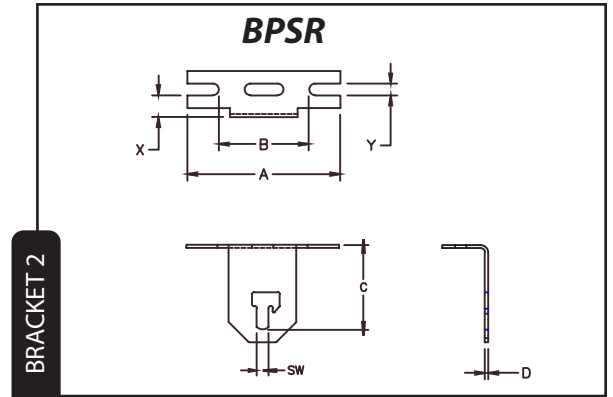
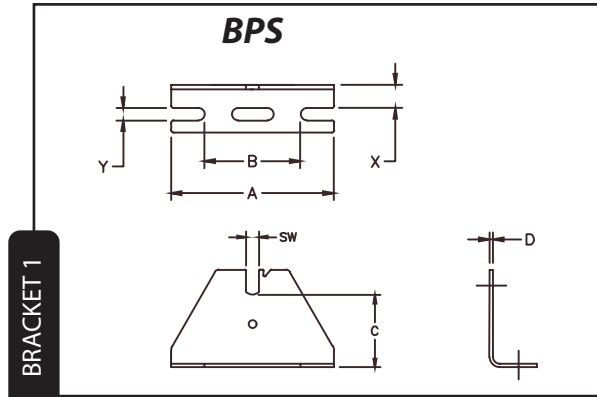
PHONE #:

EMAIL:

APPROVED FOR MANUFACTURE BY:

DATE:

SIGNATURE:



CHOOSE YOUR BRACKET

CHECK ONE

- BRACKET 1 — BPS
- BRACKET 2 — BPSR
- BRACKET 3 — BPS
- BRACKET 4 — BPSR
- BRACKET 5 — CIR
- BRACKET 6 — SR

QUANTITY	DIM A	DIM B	DIM C	DIM D	DIM X	DIM Y	DIM SW

NOTES: